



## RAXON100LPB



RAXON100LPB is an industrial X-ray source for producing a beam of high intensity X-rays with small focal spot and high stability which ensures uniform beam intensities and dose rate throughout its fan/cone-shaped beam. Stable voltage and electrical power applied to X-ray tube guarantees stable dose exposure and high-quality images in digital radiography applications.

### Applications

- Industrial Radiography
- Non-Destructive Testing
- Food Inspection
- Security Inspection
- Densitometry and Thickness Measurement

### Specifications

#### X-ray Characteristics:

Tube Type: Stationary anode, Glass tube, Tungsten target

Focal Spot: 0.5mm (IEC 336)

Beam Filter: 2mm thick 6061 Al,  $\pm 0.01$

Beam Geometry: Symmetrical fan up to  $40^\circ$  x  $30^\circ$ , cone up to  $40^\circ$

#### Input Voltage:

220 $\pm$ 10% Vac, 50/60Hz, 2A maximum

#### X-ray Tube Voltage:

Nominal X-Ray tube voltage is adjustable between 60kV to 110kV with 5kV step

#### X-ray Tube Current:

0.1-1.2mA over specified tube voltage range

#### X-ray Tube Power:

120W, continuous mode

#### Voltage Regulation:

Line:  $\pm 0.1\%$  for a  $\pm 10\%$  input line change of nominal input line voltage

Load:  $\pm 0.1\%$  for a 0.1mA to 1.2mA load change

#### Voltage Accuracy:

Voltage measured across the X-ray tube is within  $\pm 2\%$  of the programmed value

#### Voltage Risetime:

Ramp time shall be <200ms from 10% to 90% of rated output

#### Voltage Overshoot:

Within 5% of rated voltage in <10ms

#### Voltage Ripple:

Up to 1% pp of rated voltage

#### Current Regulation:

Line:  $\pm 0.1\%$  for a  $\pm 10\%$  input line change of nominal input line voltage

Load: 0.5% @ 60-110kV, 0.1-1.2mA

#### Current Accuracy:

Current measured through the X-ray tube is within  $\pm 2\%$  of the programmed value

#### Current Risetime:

<200ms from 10% to 90% of rated output

#### Arc Intervention:

4 arcs in 10 seconds with a 200ms quench = Shutdown

#### Filament Configuration:

Internal high frequency AC filament drive with closed loop filament emission control

#### Digital Interface:

RS-232/USB/Ethernet Interface selectable port

#### Control Software:



A demo GUI for engineering evaluations will be provided for the RS-232/USB/Ethernet digital interface and Encoded Command Port for customized software

**Emergency Stop:**

A physical emergency stop is embedded for prompt shut down in case of emergency independent of software and microcontroller modules

**Operating Temperature:**

0°C to +40°C

**Storage Temperature:**

-40°C to +70°C

**Humidity:**

10% to 95% relative humidity, non-condensing

**Tube Cooling:**

Oil circulation and cooling (Optional)

**Motherboard Cooling:**

Natural convection augmented by customer provided 250cfm cooling fans for continuous operation

**Input Power Line Connector:**

Standard 3pin Line-Null-Earth connector

**Dimensions:**

430mm X 3255mm X 295mm

**Weight:**

40 kg

**Installation Orientation:**

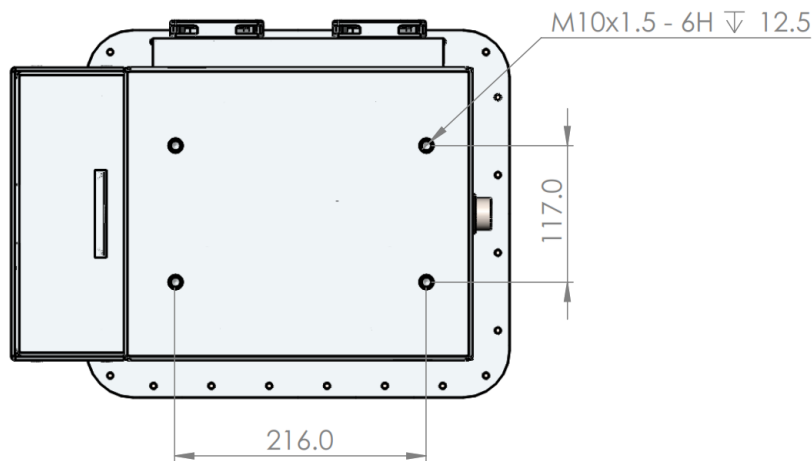
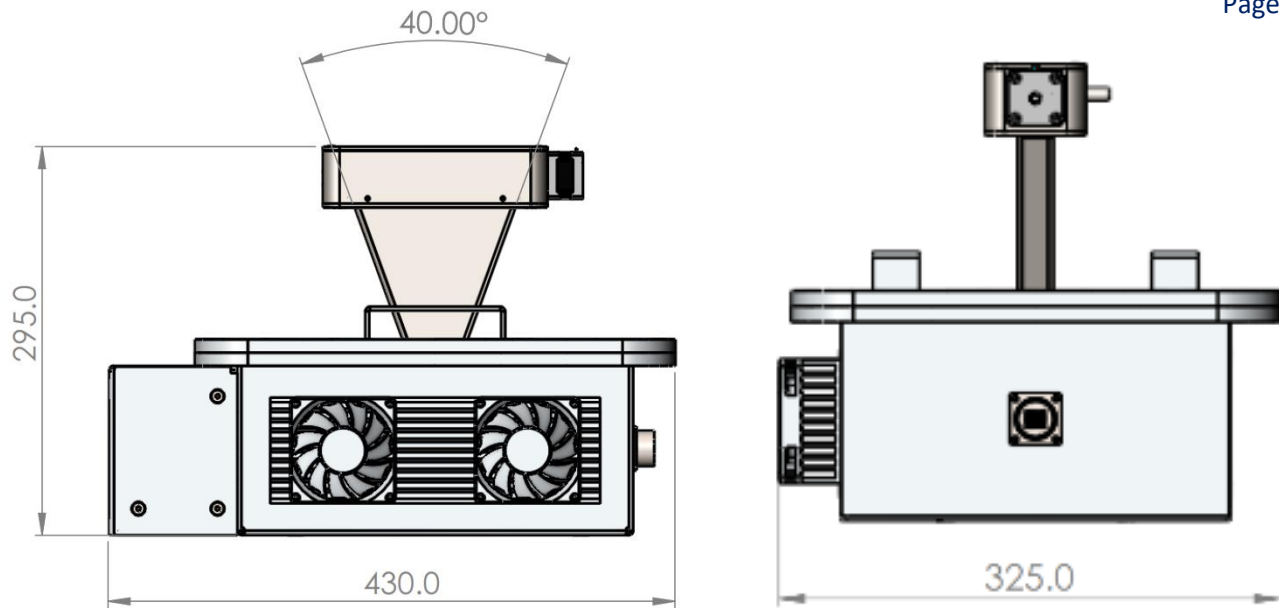
Can be mounted in any orientation.

**X-ray Leakage:**

Not to be greater than 5 $\mu$ S/hr at 5cm outside the external surface (EN61010-1)

**Accessories:**

RS-232/USB Connection cable  
Ethernet connection cable  
User Manual  
Software



Dimensions are in millimeters